

Harnessing Mobility – Going Mobile with Oracle Apps

Brijesh Bharat

Oracle Solution Architect

Solution Beacon

bbharat@solutionbeacon.com

www.linkedin.com/in/brijeshbharat

4951

Introduction:

- Accessibility to business info on the fly is fast becoming an integrated part of the business cycle
- According to Oracle, it has had more than 23,000 downloads of Business Indicators application for iPhone in the first 7 months of its launch
- There is a lot of awareness in the industry on this solution and the demand for the application is growing at the same time



Consolidate List of Apps:



Oracle Business Indicators is a business intelligence application that provides real-time, secure access to business performance information on the mobile device



Oracle Business Approvals for Managers enables managers and executives evaluate pending EBS approvals, request more information, and approve or reject pending requests



Oracle iReceipts is an enterprise application that is part of Oracle PeopleSoft Expenses, which allows users to create and submit expense lines for cash transactions in real-time



Oracle Mobile Sales Assistant is a CRM application provides real-time, secure access to the information a sales organization needs on the mobile device



Oracle Mobile Sales Forecast is an easy-to-use application that provides real-time visibility into an individual or organization's opportunity pipeline

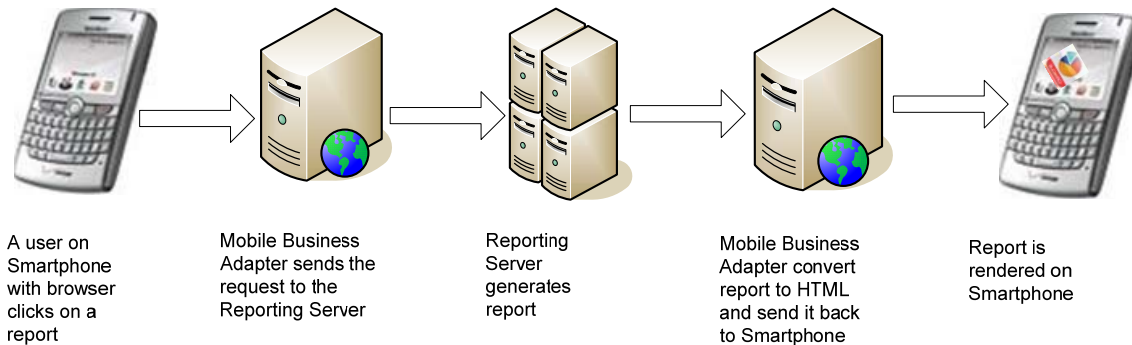


Oracle Mobile Sales Forecast is an easy-to-use application that provides real-time visibility into an individual or organization's opportunity pipeline



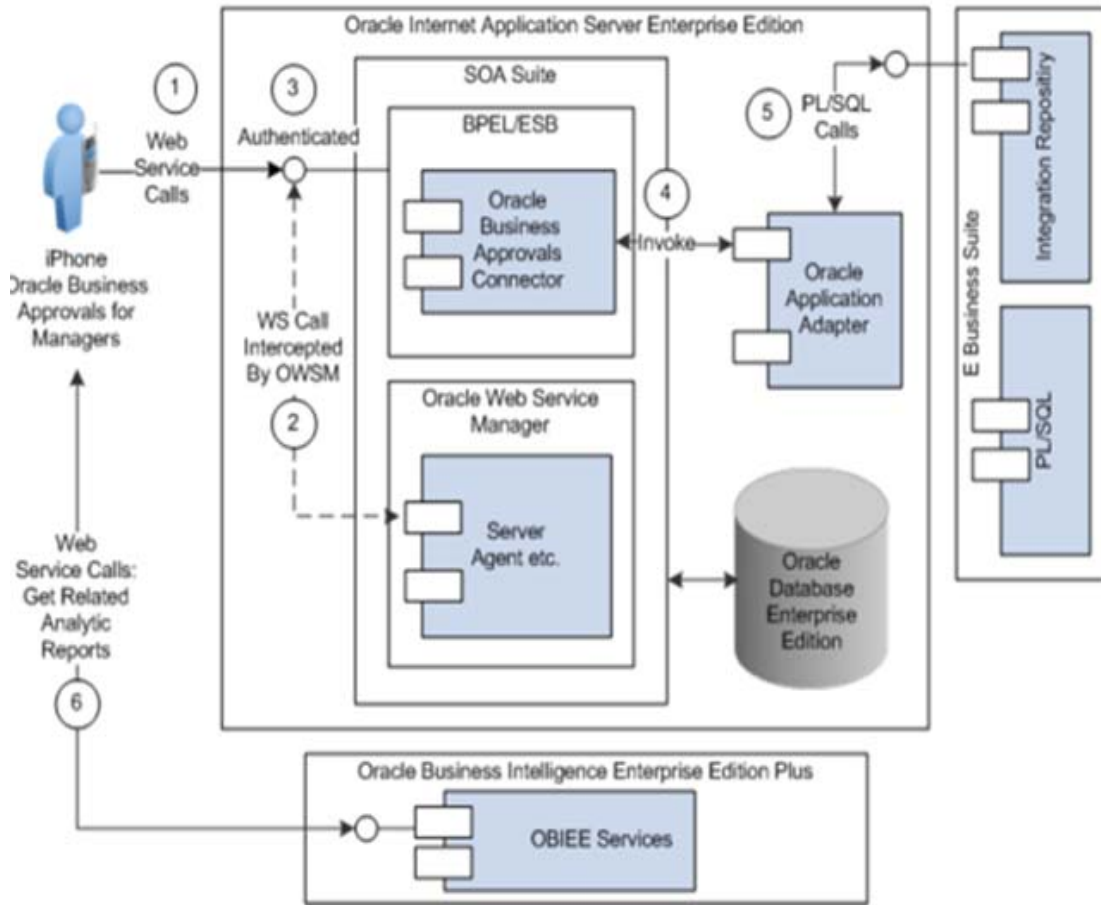
Oracle Business Approvals for Sales Managers enables sales executives to review key targeted tasks, access relevant business intelligence reports

Behind the Scenes:



- Apps retrieves data from Oracle Business intelligence Enterprise Edition Plus (OBIEE) or Oracle Business Intelligence Applications
- All communications are secured via SSL encryption
- May be optionally integrated with Oracle Identity Management components

Integration Architecture between iPhone & App 12:



Prerequisites:

- Oracle E-Business Suite Release 12 version 12.0.4 and higher
- Oracle SOA Suite 10.1.3.3 and higher
- Oracle Business Intelligence Enterprise Edition Plus (if you wish to use the optional OBIEE reports)

Licensing:

- iPhone app is free from Apple iTunes store
- Oracle Business Approvals requires licensing of a server product - Oracle Business Approvals Connector for Managers
 - Connector provides secure integration with Oracle EBS R12 using Oracle SOA Suite and optional OBIEE technologies

Where to Download Software:

1. Go to <http://edelivery.oracle.com>
2. Click Continue on the welcome screen
3. Fill out the form and check the boxes for the export restrictions.
4. Select Product Pack "E-Business Suite" and either platform of "Linux x86" or "Microsoft Windows (32-bit)". Click Go.
5. Click on the link towards the bottom of the page for "Oracle Business Approvals Connector for Managers 1.0 Media Pack for Linux x86" or "Oracle Business Approvals Connector for Managers 1.0 Media Pack for Microsoft Windows (32-bit)"

There will be downloads for:

6. Oracle Business Approvals Connector for Managers 1.0
7. Oracle Business Approvals Connector for Managers 1.0 : Required Oracle EBS 12.0 patch
8. Oracle SOA Suite 10g (10.1.3.1.0) (32-bit) (CD)
9. Oracle Application Server 10g (10.1.3.3.0) Patch set (32-bit) (CD)

Supporting Resources:

1. Oracle Mobile Sales Assistant

<http://crmondemand.oracle.com/en/products/mobile/index.htm>

2. Apple iPhone <http://www.apple.com/iphone/>

3. Apple App Store <http://www.apple.com/iphone/apps-for-iphone/>

Other Smartphones:

- Technology available for SmartPhones - Blackberry, HTC, Android, Windows, Palm
- Reports and dashboards can also be delivered to any these device that has a browser capability

Take the Risk Out of Complex Issues

- Upgrade vs. Re-implementation
- Change in business structure
- Consolidation of instances or orgs
- Acquisition integration
- Inventory costing method change
- Chart of Accounts modifications
- Calendar Change
- Optimize project timeline
- Globalization of the business
- Significant customizations
- Significant changes in functionality
- Data integrity problems, data archiving
- Extensive third-party systems
- Significant gap between releases
- Changes in configuration

STOP BY
BOOTH
1256

Turn complexity and risk into your personal success story